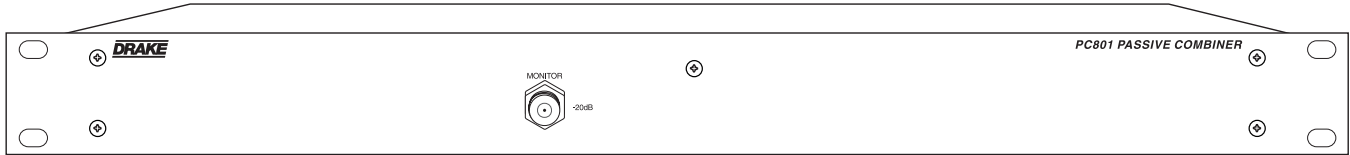
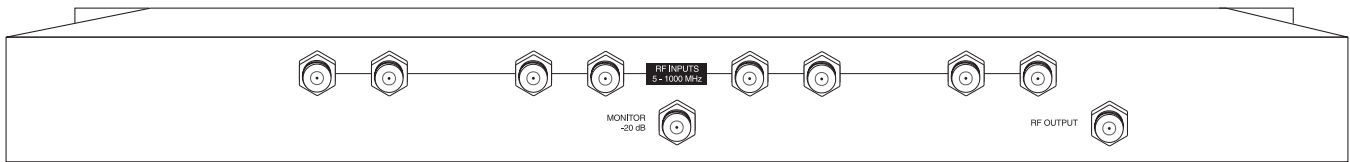
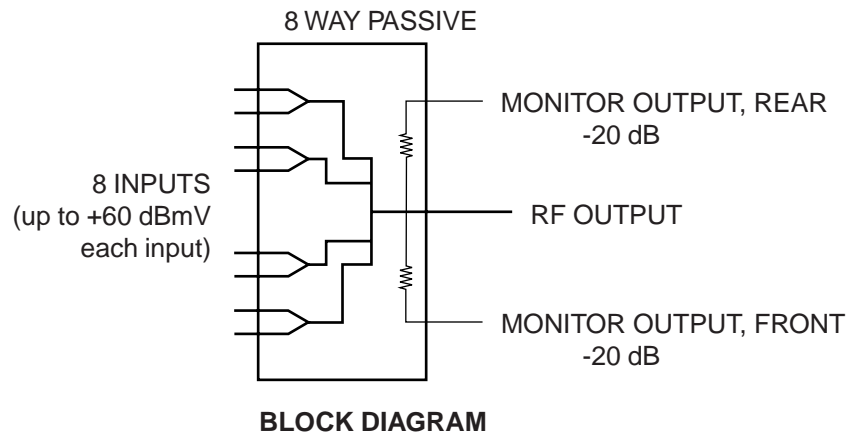


The PC801 Passive Combiner permits combining the outputs of up to 8 Audio/Video Modulators, Channel Processors, etc. onto a single coax. Additional PC801's may be used, with their outputs combined, to increase capacity as required.

The unit mounts in a standard 1-3/4" H x 19" W rack space. Two Monitor outputs are provided, one on the front panel of the combiner, and one on the rear panel.

**FRONT PANEL****REAR PANEL****SPECIFICATIONS**

- Frequency Range: 5-1000 MHz.
- Inputs: 8.
- Insertion Loss: 13.0 dB nominal, 14.5 dB maximum.
- Port-port Isolation: 30 dB nominal, 20 dB minimum.
- Maximum Input Level: +60 dBmV, each input.
- Impedance: 75 Ohms.
- Return Loss (all ports): 18 dB nominal, 14 dB minimum.
- Monitor Test Ports: -20 dB (2 ports, one front and one rear).
- Shielding: Meets FCC Part 76 requirements when operated at rated input levels.
- Operating Temperature: -20° C to +50° C.